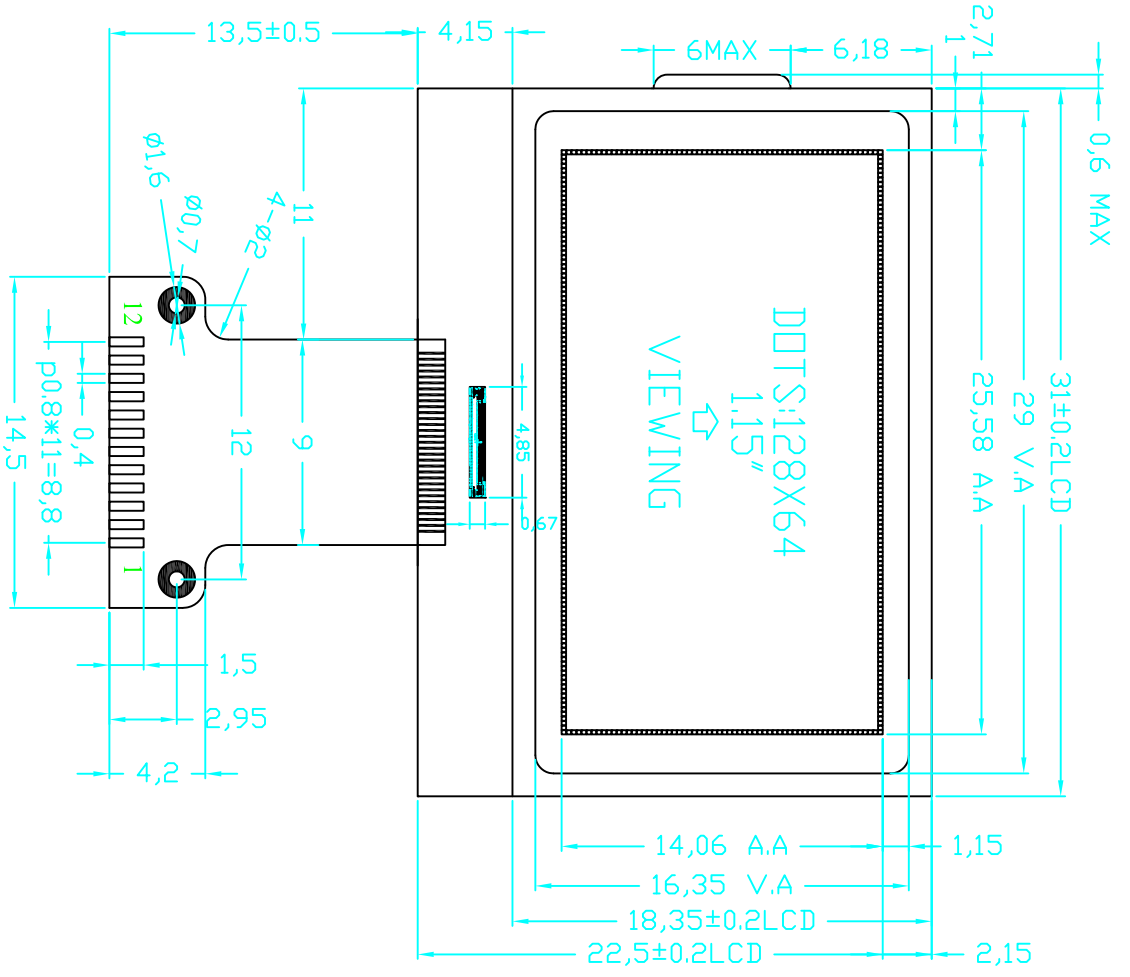
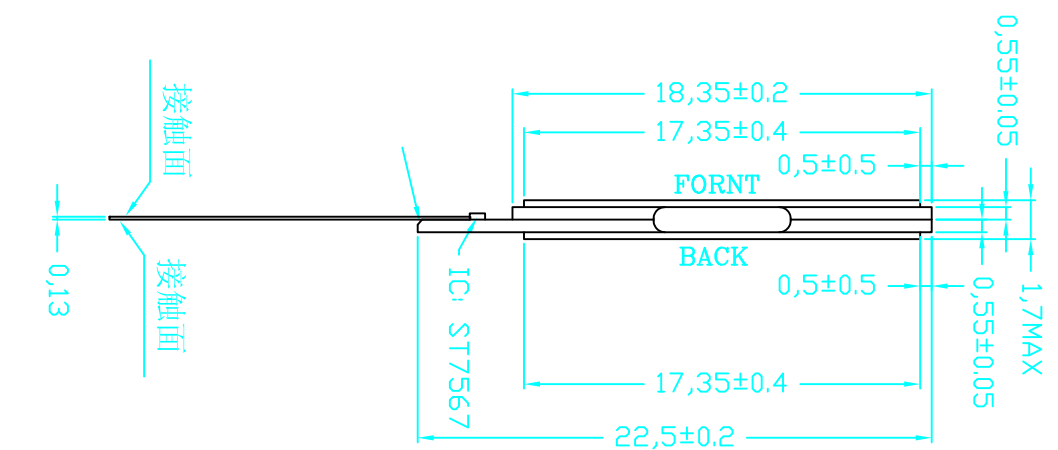
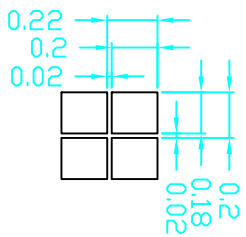


Version	CHANGE
01	A0 首版发行
02	
03	

PIN	DESC
1	CSB
2	RSTB
3	A0
4	SCL
5	SDA
6	VDD
7	VSS
8	NOUT
9	XVO
10	Vs
11	NC
12	NC

接口定义:

SCALE 10:1



NOTES:

LCD SPECIFICATION	
1. DISPLAY TYPE	FSTN
2. DISPLAY MODE	Positive, Transmissive
3. THE CONNECTOR WAY	COG (IC: ST7567)
4. DRIVE METHOD	1/6Duty, 1/9Bias, 9.0V
5. VIEWING DIRECTION	6:00 O'CLOCK
6. OPERATING TEMP	-20C--+ +70C
7. STORAGE TEMP	-30C--+ +80C
8. CUSTOMER SPECIFICATION TERMS	
9. ROHS	YES

WYING WAYING (HONGKONG) SHARES LIMITED

Unit: mm Scale: 1:1 Tolerance: ±0.2

Projection:

Customer NO. Model No. Document No.

Sheet: 1/2 Drawn By Checked By Approved By

Page: 2 Caijin Zuofangquan Chenhaiyan

Date: 2014.01.09